

# 400 Series 403F-E17T Industrial

EPA Tier 4 Final / MLIT Step 4  
30 kW / 40.2 hp

The Perkins® 403F-E17T engine is the newest member of the highly successful Perkins 400 Series range and has been designed to meet the latest set of emissions in North America and Japan.

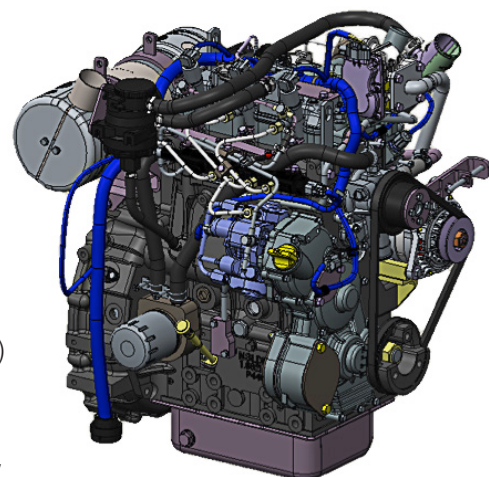
This 3 cylinder engine offers our customers the ability to meet the latest emissions legislation with a compact package. Benefiting from a fully electronic fuel system, the engine further improves on the 400 Series reputation of excellent transient performance and low fuel consumption.

The 403F-E17 is a 3 cylinder, 1.7 litre engine available in a turbocharged configuration. This compact package is capable of producing 30 kW (40.2 hp) and delivers excellent torque at low speeds, reduced owner and operating costs and extremely low noise and harshness.

Commonality with other engines in the 400 Series has been built into this new engine, allowing for minimum machine change and reduced development costs for our customers.

An extensive range of options is offered that make the 400 Series the complete solution for compact power needs.

Perkins have developed a reputation for designing and building reliable and durable engines suitable for the most demanding off-highway applications.



## Emissions

Designed to meet 2013 EPA Tier 4 Final (US) and MLIT Step 4 (Japan) emissions requirements.

Specification		
Number of cylinders	3 vertical in-line	
Bore and stroke	84 x 90 mm	3.3 x 3.5 in
Displacement	1.7 litres	103.7 cubic in
Aspiration	Turbocharged	
Cycle	4 stroke	
Combustion system	Direct injection	
Compression ratio	18:1	
Rotation	Anti-clockwise, viewed on flywheel	
Total lubricating capacity	3.6 litres	0.9 US gal
Cooling system	Liquid	
Total coolant capacity	2.8 litres	0.7 US gal

[www.perkins.com](http://www.perkins.com)

Photographs are for illustrative purposes only and may not reflect final specification.  
All information in this document is substantially correct at time of printing and may be altered subsequently.  
Final weight and dimensions will depend on completed specification.

Publication No. PN3063/07/15 Produced in England ©2015 Perkins Engines Company Limited

 **Perkins®**

THE HEART OF EVERY GREAT MACHINE

# 400 Series 403F-E17T Industrial

EPA Tier 4 Final / MLIT Step 4  
30 kW / 40.2 hp

## Features and benefits

### Reliable, quiet, and durable power

- World-class manufacturing capability and processes coupled with proven core engine designs assure reliability, quiet operation, and many hours of productive life

### Innovative design

- A simple, cost effective solution to meet highest regulated emissions
- Improved performance and reduced fuel consumption levels
- Flexibility in aftertreatment mounting
- Regeneration free aftertreatment robust in all conditions
- Turbocharged

### Low cost of ownership

- Reduced oil consumption
- Easy maintenance and serviceability
- Improved fuel consumption
- Service-free aftertreatment system
- Regeneration-free aftertreatment system eliminates downtime
- 500 hour service intervals and two-year warranty as standard
- **Warranties and Service Contracts**

We provide one-year warranties for constant speed engines and two-year warranties for variable speed models, as standard. These are supported by multilevel Extended Service Contracts that can be bought additionally  
Discover more: [www.perkins.esc](http://www.perkins.esc)

### Local support, global coverage

- Perkins recognise that the customer relationship is important to machine manufacturers and we can offer a range of flexible solutions to help provide appropriate support, either to the OEM's network or directly to the machine customer
- With highly trained Perkins distributors in thousands of communities in over 180 countries, you are never far away from expert product knowledge, genuine parts and a range of advanced diagnostic technology for keeping your engine in peak condition
- To find your local distributor: [www.perkins.com/distributor](http://www.perkins.com/distributor)

[www.perkins.com](http://www.perkins.com)

Photographs are for illustrative purposes only and may not reflect final specification.  
All information in this document is substantially correct at time of printing and may be altered subsequently.  
Final weight and dimensions will depend on completed specification.

Publication No. PN3063/07/15 Produced in England ©2015 Perkins Engines Company Limited

 **Perkins**<sup>®</sup>

THE HEART OF EVERY GREAT MACHINE

# 400 Series 403F-E17T Industrial

EPA Tier 4 Final / MLIT Step 4  
30 kW / 40.2 hp

## Technical information

### Core engine

- Multiple engine rating options
- Cast iron engine block
- SAE A PTO drive
- Flywheel and flywheel housing options
- Adapter plate
- Glow plug starting aid
- Cast iron exhaust manifold options
- Induction manifold options
- Engine mounting
- Block heater provision

### Fuel system

- Electronic 2000 bar common rail fuel system
- Spin on fuel filter
- Simple pintle nozzle injectors

### Electrics

- Starter motor 12 volts
- Alternator 12 volts, 85 amp
- Off engine mounted ECU

### Air system

- Turbocharged
- Standard air cleaner

### Cooling system

- Belt driven coolant pump
- Cooling fan options
- Fan drive options
- Coolant temperature switch

### Lubrication system

- Oil sump options for various applications
- Spin on oil filter options
- Oil pressure switch

### Control system

- Electronic control module
- Flexible and configurable software features and well supported SAE J1939 CAN bus enables highly integrated machines
- Wiring harness
- All connectors and wiring harness are waterproof and designed to withstand harsh off-highway environments
- Robust reliable sensors

### Emissions control system

- Compact DOC only aftertreatment system

### Options group

An extensive range of selectable options are available to enable you to prepare a specification precisely matched to your needs.

[www.perkins.com](http://www.perkins.com)

Photographs are for illustrative purposes only and may not reflect final specification.  
All information in this document is substantially correct at time of printing and may be altered subsequently.  
Final weight and dimensions will depend on completed specification.

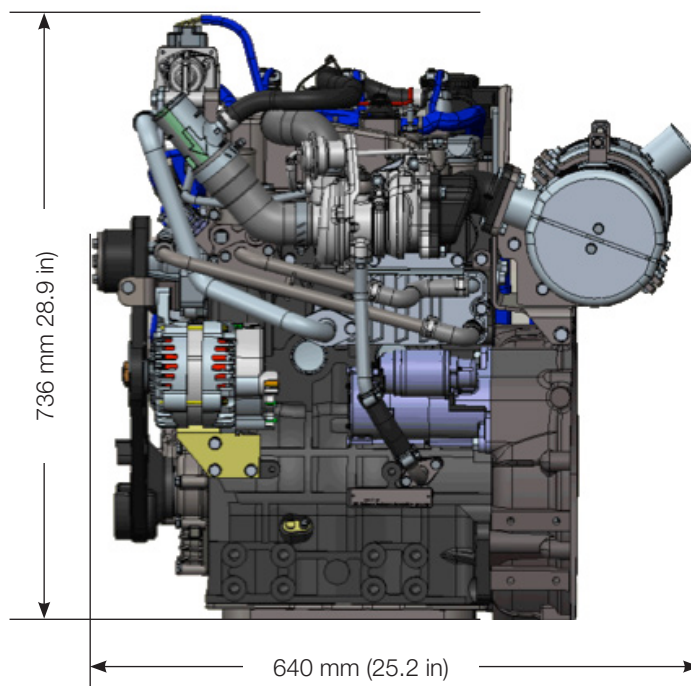
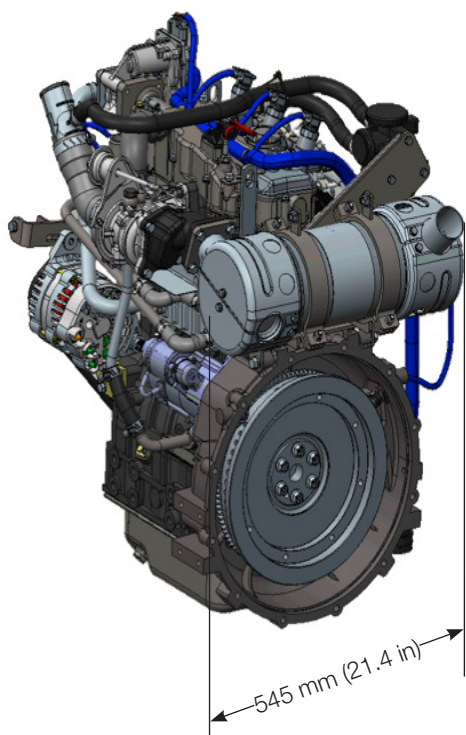
Publication No. PN3063/07/15 Produced in England ©2015 Perkins Engines Company Limited

 **Perkins**<sup>®</sup>

THE HEART OF EVERY GREAT MACHINE

# 400 Series 403F-E17T Industrial

EPA Tier 4 Final / MLIT Step 4  
30 kW / 40.2 hp



Engine package weights and dimensions – based on rear mount

Length (including fan)	640 mm	25.2 in
Width	545 mm	21.4 in
Height	736 mm	28.9 in
Weight (dry)	190 kg	419 lb

[www.perkins.com](http://www.perkins.com)

Photographs are for illustrative purposes only and may not reflect final specification.  
All information in this document is substantially correct at time of printing and may be altered subsequently.  
Final weight and dimensions will depend on completed specification.

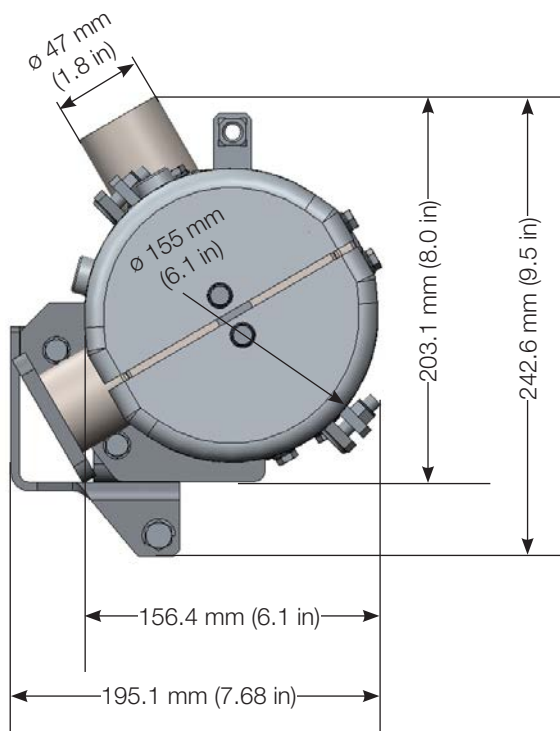
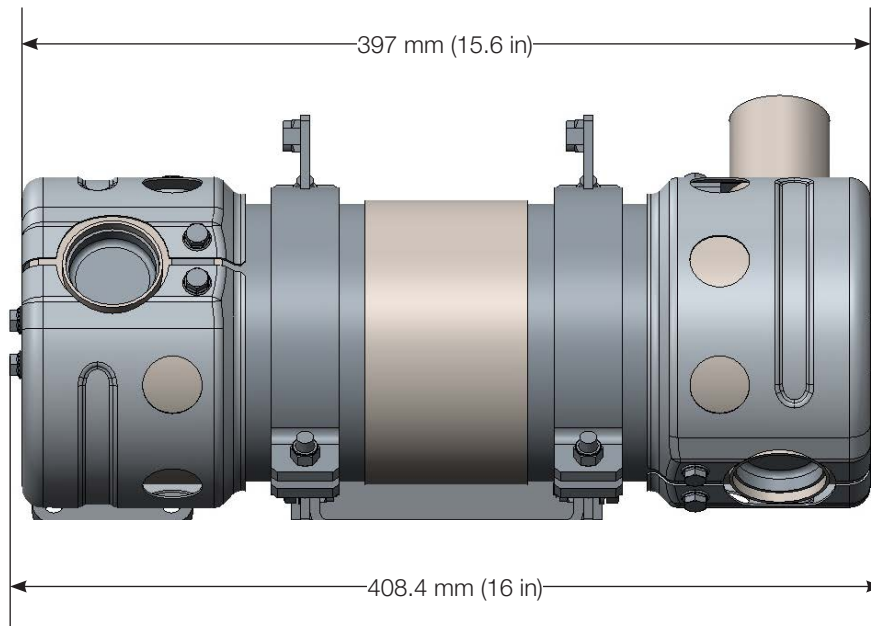
Publication No. PN3063/07/15 Produced in England ©2015 Perkins Engines Company Limited

 **Perkins**<sup>®</sup>

THE HEART OF EVERY GREAT MACHINE

# 400 Series 403F-E17T Industrial

EPA Tier 4 Final / MLIT Step 4  
30 kW / 40.2 hp



## Aftertreatment

DOC – Diesel Oxidation Catalyst.

## Technology

The DOC technology provides customers with as compact as possible aftertreatment solution. The aftertreatment is regeneration-free, providing a seamless operation throughout the work cycle.

## Power

Using our advanced research and development techniques, we have perfectly matched the aftertreatment system to the engine. Without the requirement for regeneration, the aftertreatment system eliminates any risk of downtime for maximum productivity.

## Mounting

Multiple on or off engine installation options provide OEM with simple and flexible solutions for many applications.

## Service

Service-free operation.

[www.perkins.com](http://www.perkins.com)

Photographs are for illustrative purposes only and may not reflect final specification. All information in this document is substantially correct at time of printing and may be altered subsequently. Final weight and dimensions will depend on completed specification.

Publication No. PN3063/07/15 Produced in England ©2015 Perkins Engines Company Limited

 **Perkins**<sup>®</sup>

THE HEART OF EVERY GREAT MACHINE

# 400 Series 403F-E17T Industrial

EPA Tier 4 Final / MLIT Step 4  
30 kW / 40.2 hp

Speed rpm	Power kW	Power hp	Torque Nm	Torque lbf-ft	Rating type
2200	25.0	33.5	120	88.5	C
2400	27.0	36.2	120	88.5	C
2600	29.0	38.9	125	92.2	C
2800	30.0	40.2	125	92.2	C

## Rating definitions and conditions

**IND-C (Intermittent)** is the horsepower and speed capability of the engine where maximum power and/or speed are cyclic (time at full load not to exceed 50%).

Additional ratings are available for specific customer requirements. Consult your Perkins distributor.

**Rating Conditions for Diesel Engines** – up to 7.1 litres are based on ISO/TR14396, inlet air standard conditions with a total barometric pressure of 100 kPa (29.5 in. Hg), with a vapour pressure of 1 kPa (0.295 in Hg) and 25°C (77°F). Performance is measured using fuel to specification EPA 2D 89.330-96 with a density of 0.845-0.850 kg/L @ 15°C (59°F) and fuel inlet temperature 40°C (104°F).

## Emissions statement

**Industrial and IOPU Engines:** Certified against the requirements of EU Stage IIIB (Directives 97/68/EC, as last amended, and 2004/26/EC, as last amended); and US EPA Tier 4 Final (40 CFR Part 1039).

**Constant Speed Engines for use in Industrial, IOPU and ElectropaK applications:** Certified against the requirements of EU Stage IIIA (Directives 97/68/EC, as last amended for mobile applications); and US EPA Tier 4 Final (40 CFR Part 60 for stationary applications and 40 CFR Part 1039 for mobile applications).

[www.perkins.com](http://www.perkins.com)

Photographs are for illustrative purposes only and may not reflect final specification.  
All information in this document is substantially correct at time of printing and may be altered subsequently.  
Final weight and dimensions will depend on completed specification.

Publication No. PN3063/07/15 Produced in England ©2015 Perkins Engines Company Limited

 **Perkins**<sup>®</sup>

THE HEART OF EVERY GREAT MACHINE